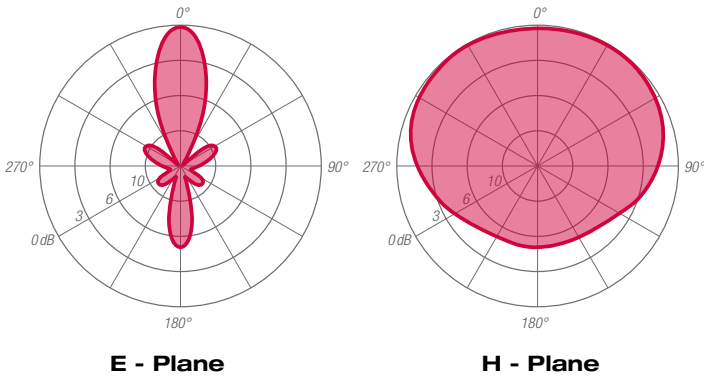


ANTENNA FEATURES

- Double dipole antenna.
- Vertical polarization.
- Broadband 174÷230 MHz.
- Omnidirectional radiation pattern.
- Analogue/Digital Service.

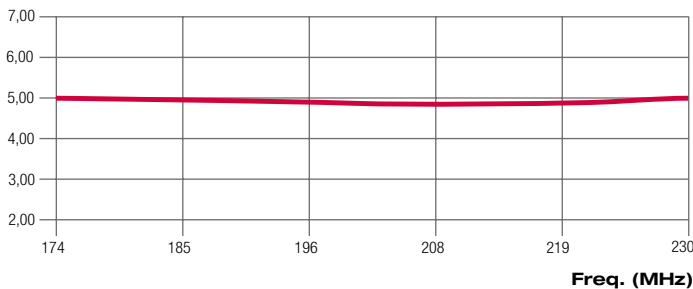
RADIATION PATTERNS (Mid Band)



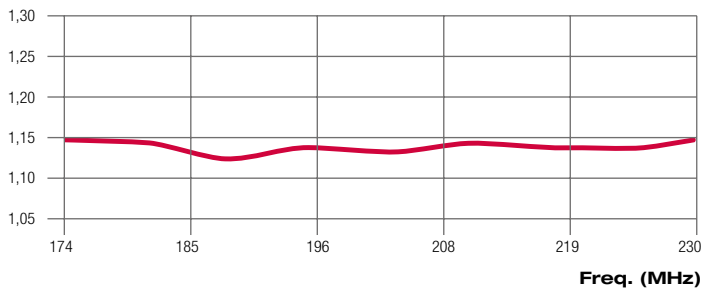
ELECTRICAL DATA

WORKING BAND:	174 - 230 MHz
BANDWIDTH:	VHF band III
GAIN:	5.0 dBd (7.2 dBi)
VSWR:	≤ 1.15:1 (-23.1 dB)
POLARIZATION:	Vertical
IMPEDANCE:	50 Ohm balanced
HALF POWER BEAMWIDTH:	E-Plane - 30° H-Plane - 220°
LIGHTNING PROTECTION:	All metal parts DC grounded including inner conductors
AVAILABLE VERSION AND CODE:	ADB0204230- DIN 7/16 female - max 2000W rms ADB0204231- EIA 7/8" - max 3500W rms ADB0204231A- EIA 7/8" 90° up/down - 3500W rms

GAIN (dB)



VSWR

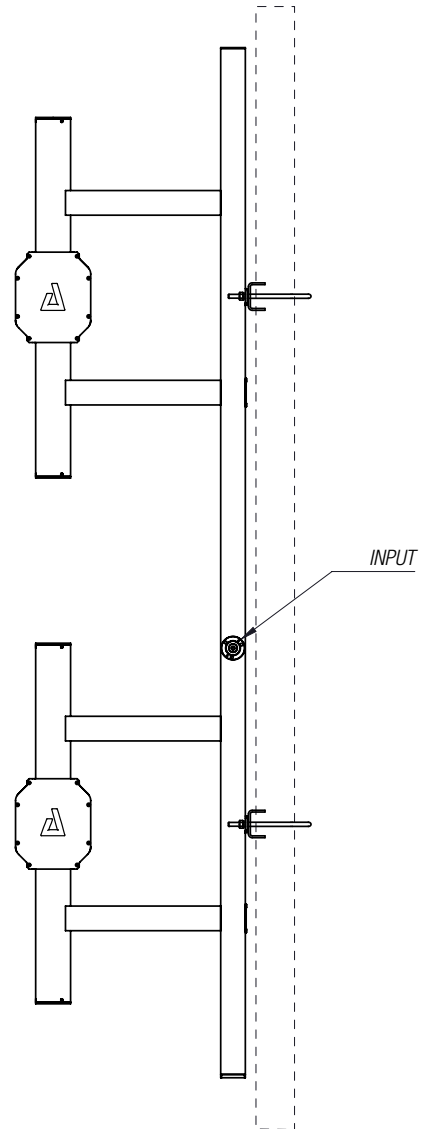
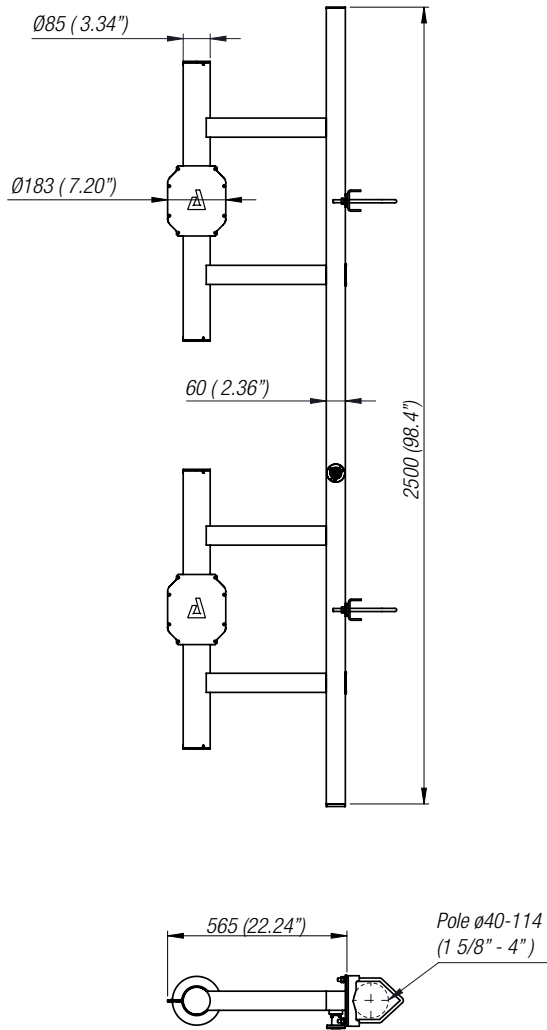


MECHANICAL DATA

MATERIALS:	Stainless steel
MOUNTING:	Directly on supporting structure
MOUNTING BRACKETS:	Included for Ø40÷114mm pipe (Ø1 5/8" - 4")
ICING PROTECTION:	ABS radome
TREATMENTS:	Military norms treatment (MIL-C-5541) internal lines Silver plated connector
PRESSURIZATION:	No
ANTENNA DIMENSIONS:	2500x540x160 mm (98.4x21.2x6.3 in)
ANTENNA WEIGHT:	24 kg (52.9 lb)
BRACKET WEIGHT:	2.4 kg (5.3 lb)
WIND SURFACE:	0.21m² (2.26ft²) front - 0.40m² (4.30 ft²) side
WIND LOAD (160 km/h and 30°C)	0.18 kN front - 0.33 kN side
SURVIVAL WIND:	220 km/h (136.7 mph)
PACKING DIMENSIONS:	Wooden cage (ISPM-15) 2600x650x200mm - 70kg (102.3x25.5x7.8 in - 154.3lb)

Specification are subject to change without notice

ANTENNA DIMENSIONAL DETAILS



OPTIONS & SERVICES

<i>PATTERN DESIGN</i>	Custom azimuth and elevation (beam tilt and null fill) patterns can be designed to meet specific protection/coverage requirements
<i>PATTERN CERTIFICATION</i>	Proof-of-performance factory test and pattern measurements on ALDENA test plan area
<i>MOUNTING HARDWARE</i>	Turn-key antenna delivering Tower top/side spine Special hardware/brackets
<i>TRANSMISSION LINE</i>	Transmission line system design and layout
<i>COMBINERS/FILTERS</i>	Combiners/Filters to suit requirements can be supplied
<i>CALCULATION SERVICES</i>	Coverage/interference simulations EM Near Field control and reduction (Environmental impact studies)
<i>ON-SITE SERVICES</i>	Site Survey and Inspection Installation/commissioning and supervising Drive test & EM Field strength measurements After sales maintenance
<i>TRAINING</i>	Technical training certification and consultancy

Specification are subject to change without notice