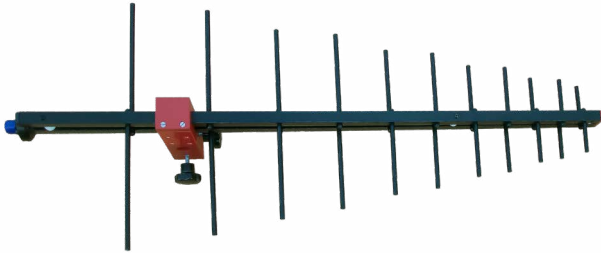
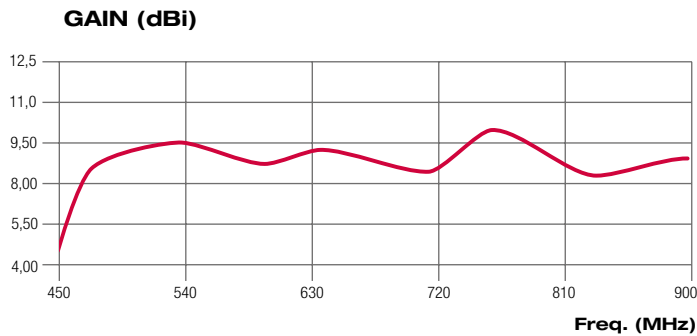


### ANTENNA FEATURES

- Suitable for measurement from 450-900 MHz.
- Log periodic antenna 11 elements.
- Aluminum case uincluded.
- Excellent antenna factor.
- Easy vertical-horizontal polarization change by tripod adapter.
- Individual calibration.
- Robust and rustproof aluminium construction.
- Lightweight.

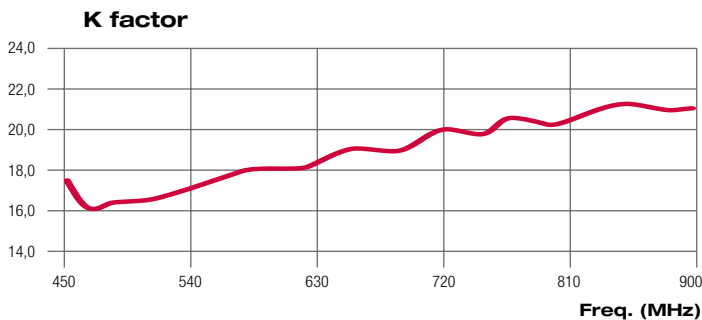


### RADIATION PATTERNS (Mid Band)



### ELECTRICAL DATA

<i>WORKING BAND:</i>	VHF & UHF
<i>BANDWIDTH:</i>	450 ÷ 900 MHz
<i>AVERAGE GAIN:</i>	8.2 dBi
<i>ANTENNA FACTOR:</i>	16 ÷ 20.8
<i>POLARIZATION:</i>	Vertical or horizontal
<i>IMPEDANCE:</i>	50 Ohm unbalanced
<i>INPUT CONNECTOR:</i>	"N" female
<i>AVAILABLE VERSION AND CODE:</i>	ALP1107710 - typical calibration report ALP1107710SIT - individual calibration certificate

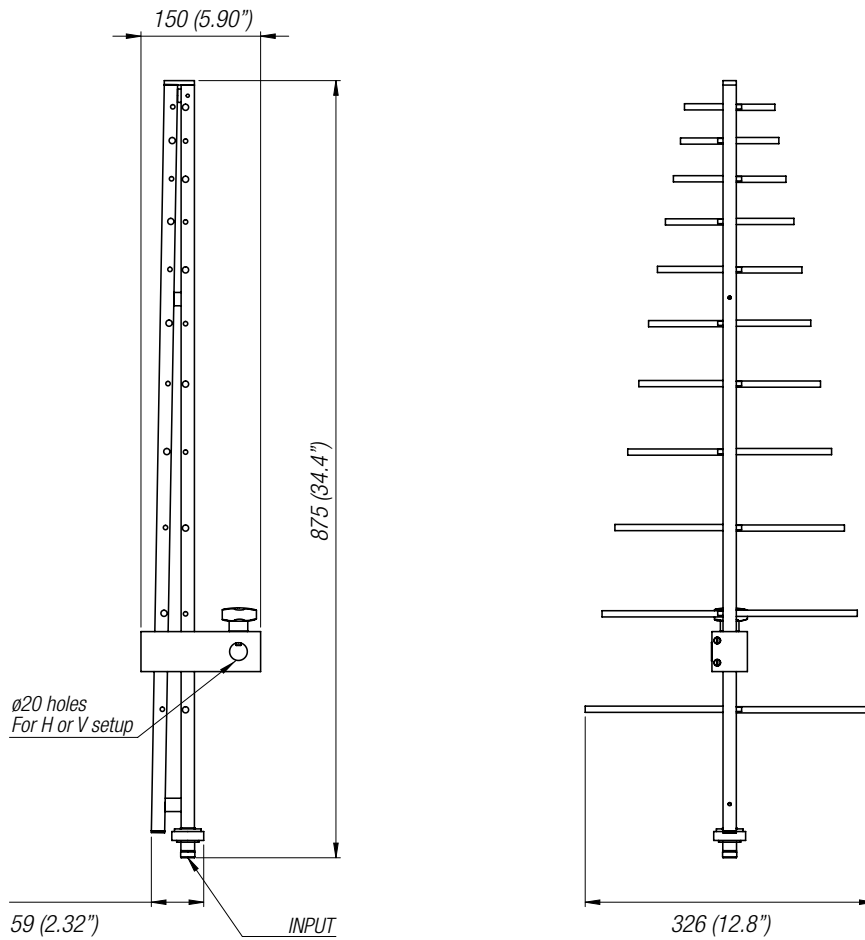


### MECHANICAL DATA

<i>MATERIALS:</i>	Aluminum dipoles and body
<i>MOUNTING:</i>	Directly on mast ø20mm (0.78")
<i>MOUNTING BRACKETS:</i>	Included
<i>TREATMENTS:</i>	External finishing painted RAL9005
<i>ANTENNA DIMENSIONS:</i>	885x326x150 mm (34.4x12.8x5.90 in)
<i>ANTENNA WEIGHT:</i>	1.1 kg (2.42 lb)
<i>PACKING DIMENSIONS:</i>	Aluminium case (optional) 930x360x190 mm - 10 kg (36.6x14.1x7.4 in - 22.04 lb)

Specification are subject to change without notice

**ANTENNA DIMENSIONAL DETAILS**



**RECCOMENDED ACCESSORIES**

NMR-01	Fiberglass non magnetic and non reflective tripod. Extendable up to 2m.
NMR-UNI	Universal adapter of 1/4"
NMR-ARJ	Positioner for H/V polarization
NMR-BAG	Shoulder Bag for the NMR-01 tripod
CVL2000102/7	LMR200 cable with attenuation data N male ÷ BNC male

**FIBERGLASS NON MAGNETIC AND NON REFLECTIVE TRIPOD**



Aluminium case



IEC61786 compliance  
Not affected by humidity

Specification are subject to change without notice