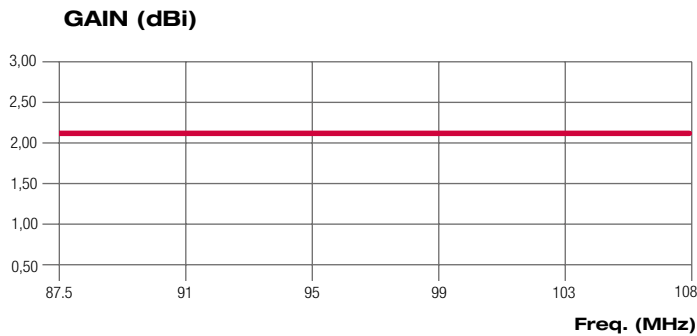




### ANTENNA FEATURES

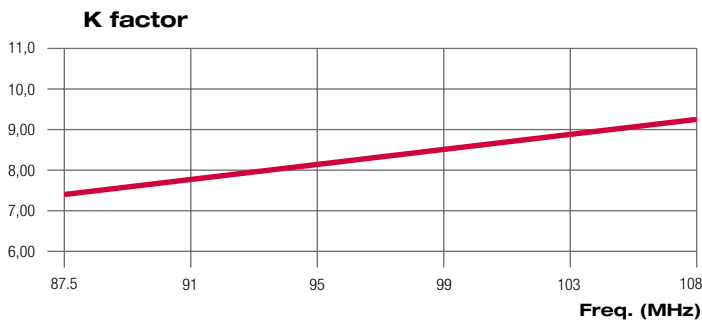
- Suitable for measurement from 87.5-108 MHz.
- Ground plain vertical antenna.
- Demountable.
- Excellent antenna factor.
- Individual calibration.
- Robust and rustproof aluminium construction.
- Lightweight.

### RADIATION PATTERNS (Mid Band)



### ELECTRICAL DATA

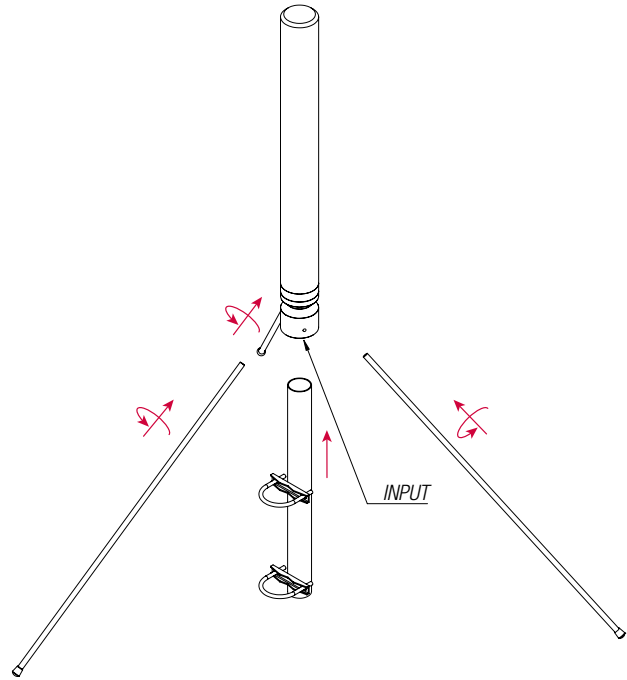
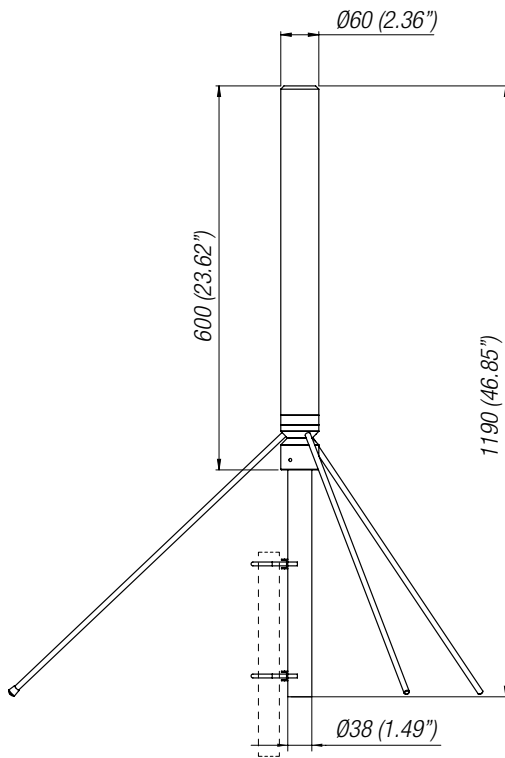
<i>WORKING BAND:</i>	FM - BII
<i>BANDWIDTH:</i>	87.5 ÷ 108 MHz
<i>AVERAGE GAIN:</i>	2.15 dBi
<i>ANTENNA FACTOR:</i>	7.5 ÷ 9.2
<i>POLARIZATION:</i>	Vertical
<i>IMPEDANCE:</i>	50 Ohm unbalanced
<i>INPUT CONNECTOR:</i>	"N" female
<i>AVAILABLE VERSION AND CODE:</i>	ASGPFM - typical calibration report ASGPFMSIT - Individual calibration certificate



### MECHANICAL DATA

<i>MATERIALS:</i>	Aluminum body Stainless steel brackets
<i>MOUNTING:</i>	Directly on supporting structure
<i>MOUNTING BRACKETS:</i>	Included for Ø30÷90mm pipe (Ø 1.18" - 3.54")
<i>TREATMENTS:</i>	Anodizing body
<i>ANTENNA DIMENSIONS:</i>	1190x60 mm (46.85x2.36 in)
<i>ANTENNA WEIGHT:</i>	1.5 kg (3.30 lb)
<i>PACKING DIMENSIONS:</i>	Box 1000x210 - 5.5kg (39.37x8.26 in - 12.12lb)

**ANTENNA DIMENSIONAL DETAILS**



**RECCOMENDED ACCESSORIES**

<i>NMR-01</i>	Fiberglass non magnetic and non reflective tripod. Extendable up to 2m.
<i>NMR-UNI</i>	Universal adapter of 1/4"
<i>NMR-ARJ</i>	Positioner for H/V polarization
<i>NMR-BAG</i>	Shoulder Bag for the NMR-01 tripod
<i>CVL2000102/7</i>	LMR200 cable with attenuation data N male ÷ BNC male

**FIBERGLASS NON MAGNETIC AND NON REFLECTIVE TRIPOD**



Specification are subject to change without notice