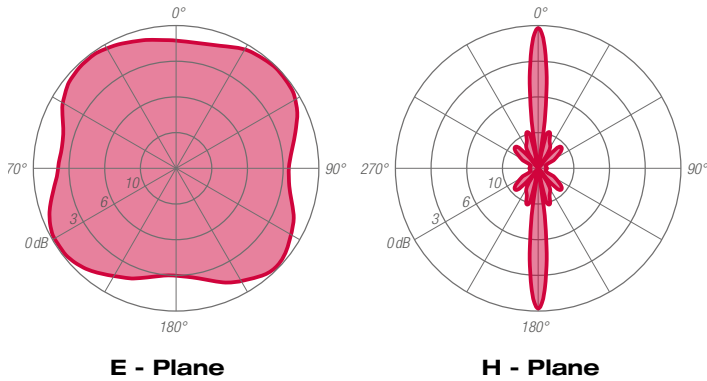




ANTENNA FEATURES

- Turnstile antenna 11 dBd gain.
- Horizontal polarization.
- Broadband 470-862 MHz.
- Omnidirectional radiation pattern.
- Designed for digital and/or analogue services.
- Plug-and-play installation.

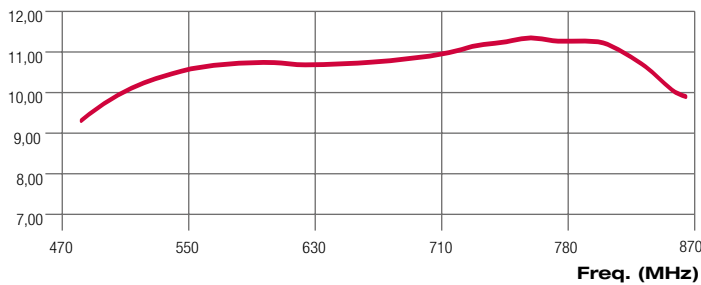
RADIATION PATTERNS (Mid Band)



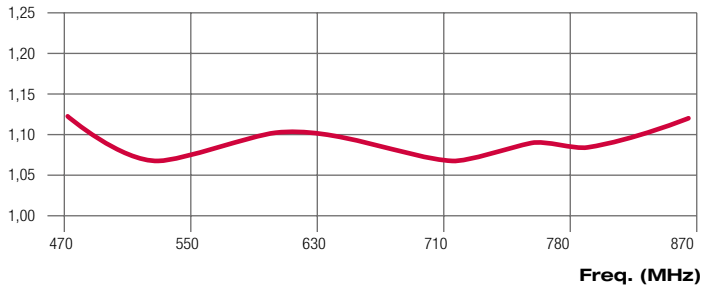
ELECTRICAL DATA

| | |
|------------------------------------|---|
| <i>WORKING BAND:</i> | 470-862 MHz |
| <i>BANDWIDTH:</i> | UHF IV/V band |
| <i>GAIN:</i> | 11.0 dBd (13.2 dBi) |
| <i>VSWR:</i> | ≤ 1.12:1 (-25 dB) |
| <i>POLARIZATION:</i> | Horizontal |
| <i>IMPEDANCE:</i> | 50 Ohm balanced |
| <i>HALF POWER BEAMWIDTH:</i> | E-Plane - 360° H-Plane - 5.5° |
| <i>LIGHTNING PROTECTION:</i> | All metal parts DC grounded including inner conductors Vertical lightning protection system included |
| <i>AVAILABLE VERSION AND CODE:</i> | ATS3207928 - EIA 1 5/8" - 5000W rms ATS3207929 - EIA 3 1/8" - 8000W rms |

GAIN (dB)



VSWR



MECHANICAL DATA

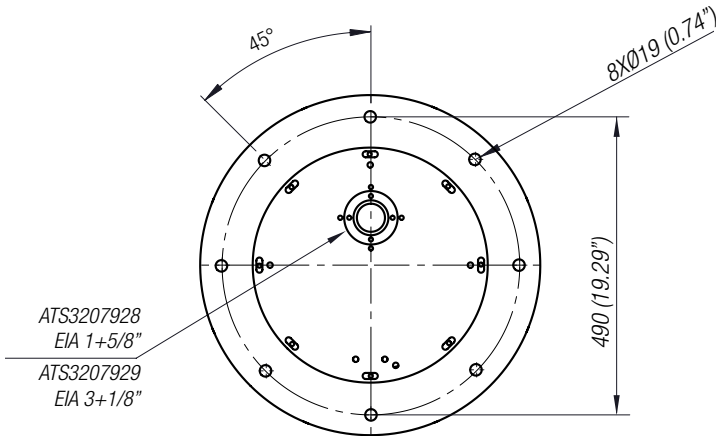
| | |
|---|---|
| <i>MATERIALS:</i> | Aluminium and stainless steel |
| <i>MOUNTING:</i> | Directly on top of existing structure/mast by means of a flange ø560 (22.05 in) 8xM18 (holes) |
| <i>MOUNTING BRACKETS:</i> | Included |
| <i>ICING PROTECTION:</i> | Whole antenna fully covered by PP-HD radome Standard grey color |
| <i>TREATMENTS:</i> | Stainless steel cover, aluminium bottom base Bracket and bolts in hot dip galvanized steel Silver-plated connector and lines Military norms treatment (MIL-C-5541) dipoles |
| <i>PRESSURIZATION:</i> | No |
| <i>ANTENNA DIMENSIONS:</i> | 370x5272mm (14.56x207.56 in) Base flange ø560 mm (22.05 in) |
| <i>WEIGHT:</i> | 160 kg (352.74 lb) |
| <i>WIND SURFACE:</i> | 1.95 m ² (20.98 ft ²) front - 1.95 m ² (20.98 ft ²) side |
| <i>WIND LOAD</i> (160 km/h and 30°C) | 1.58 kN front - 1.58 kN side |
| <i>SURVIVAL WIND:</i> | 180 km/h (111.85 mph) |
| <i>PACKING DIMENSIONS:</i> | Wooden cage (ISPM-15) 700x800x5700mm - 244 kg (27.55x31.49x224.40 in - 538 lb) |
| <i>SPECIAL FEATURES:</i> | Beaconing light upon request Beam tilt, null filling and special requirements to order |

Specification are subject to change without notice

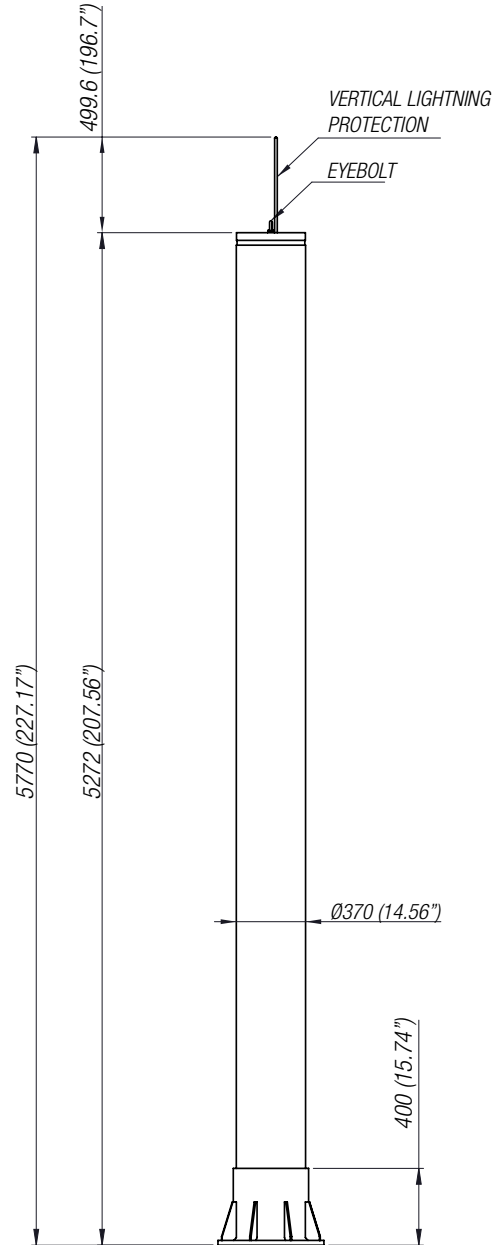
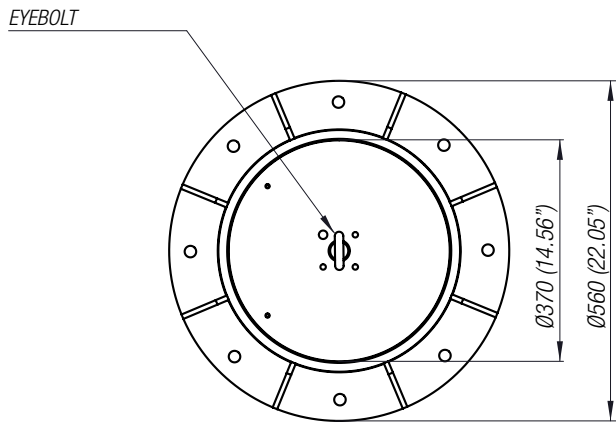
ANTENNA DIMENSIONAL DETAILS - PLAN

ANTENNA DIMENSIONAL DETAILS - SIDE

FIXING BOTTOM BASE



TOP COVER



OPTIONS & SERVICES

| | |
|------------------------------|--|
| <i>PATTERN DESIGN</i> | Custom azimuth and elevation (beam tilt and null fill) patterns can be designed to meet specific protection/coverage requirements |
| <i>PATTERN CERTIFICATION</i> | Proof-of-performance factory test and pattern measurements on ALDENA test plan area |
| <i>MOUNTING HARDWARE</i> | Turn-key antenna delivering Tower top/side spine Special hardware/brackets |
| <i>TRANSMISSION LINE</i> | Transmission line system design and layout |
| <i>COMBINERS/FILTERS</i> | Combiners/Filters to suit requirements can be supplied |
| <i>CALCULATION SERVICES</i> | Coverage/interference simulations EM Near Field control and reduction (Environmental impact studies) |
| <i>ON-SITE SERVICES</i> | Site Survey and Inspection Installation/commissioning and supervising Drive test & EM Field strength measurements After sales maintenance |
| <i>TRAINING</i> | Technical training certification and consultancy |

Specification are subject to change without notice