



FEATURES

- Broadband power splitter (174-240 MHz)
- Low VSWR
- Low insertion loss
- Up to 12 outputs
- Pressurizable
- Available equal or unequal splitting power ratio
- Additional tuning unit (Line Match) can be used to optimize the input impedance of the whole system on site.

ELECTRICAL DATA

<i>WORKING BAND:</i>	174-240 MHz
<i>BANDWIDTH:</i>	VHF Band III
<i>VSWR:</i>	≤ 1.06:1 (-30.71 dB)
<i>IMPEDANCE:</i>	50 Ohm balanced
<i>INSERTION LOSS:</i>	0.05 dB
<i>POWER RATING:</i>	See table
<i>NUMBER OF WAYS:</i>	See table
<i>SPLITTING POWER RATIO:</i>	Equal or Unequal

MECHANICAL DATA

<i>MATERIALS:</i>	External body in polished brass, internal lines in aluminum or brass, inner conductors in brass, teflon isolators, silicon O-rings
<i>MOUNTING:</i>	Directly on supporting structure via M8/M10 holes
<i>MOUNTING BRACKETS:</i>	Optional XDV - Couple of brackets for pole from 40 to 114mm (4") XDVS - Couple of fixed brackets 130mm length with M10 holes
<i>TREATMENTS:</i>	Silver-plated internal lines and connections
<i>PRESSURIZATION:</i>	5.0 psi
<i>CONNECTORS:</i>	See table
<i>DIMENSIONS:</i>	See table
<i>WEIGHT:</i>	See table
<i>PACKING DIMENSIONS:</i>	Cardboard box
<i>FINISHIGN:</i>	RAL7030

Specification are subject to change without notice

STANDARD TYPES

PRODUCT CODE	INPUT CONNECTOR	WAY	OUTPUT CONNECTOR	DIMENSION				POWER RATING (rms KW)			WIEGHT (kg)	FIGURE
				A (mm)	A (inch)	B (mm)	B (inch)	174 MHz	202 MHz	230 MHz		
DV1616B422B	DIN 7/16 f.	2	DIN 7/16 f.	815	32,1	90	3,5	3.1	3.0	2.7	2.2	1
DV7816B422B	EIA 7/8"	2	DIN 7/16 f.	840	33,1	90	3,5	5.5	5.2	5.0	2.4	2
DV7878B422B	EIA 7/8"	2	EIA 7/8"	830	32,7	122	4,8	5.5	5.2	5.0	3.9	3
DV5816B422B	EIA 1 5/8"	2	DIN 7/16 f.	815	32,1	90	3,5	6.2	6.0	5.4	4.0	3
DV5878B422B	EIA 1 5/8"	2	EIA 7/8"	850	33,5	122	4,8	11.0	10.4	10.0	4.1	3
DV5858B422B	EIA 1 5/8"	2	EIA 1 5/8"	860	33,9	118	4,6	13.0	12.0	11.5	4.4	5
DV3878B422B	EIA 3 1/8"	2	EIA 7/8"	894	35,2	290	11,4	11.0	10.4	10.0	11.7	3
DV3858B422B	EIA 3 1/8"	2	EIA 1 5/8"	950	37,4	290	11,4	26.0	24.0	23.0	11.0	4
DV3838B422B	EIA 3 1/8"	2	EIA 3 1/8"	920	36,2	112	4,4	37.0	36.0	35.0	11.1	4
DV4238B422B	IEC 4 1/2"	2	EIA 3 1/8"	990	39,0	275	10,8	60.0	54.0	51.0	18.5	4
DV1616B432B	DIN 7/16 f.	3	DIN 7/16 f.	810	31,9	90	3,5	3.1	3.0	2.7	2.3	1
DV7816B432B	EIA 7/8"	3	DIN 7/16 f.	835	32,9	90	3,5	5.5	5.2	5.0	2.4	2
DV7878B432B	EIA 7/8"	3	EIA 7/8"	830	32,7	190	7,5	5.5	5.2	5.0	4.6	3
DV5878B432B	EIA 1 5/8"	3	EIA 7/8"	862	33,9	190	7,5	13.0	12.0	11.5	4.9	3
DV5858B432B	EIA 1 5/8"	3	EIA 1 5/8"	862	33,9	190	7,5	13.0	12.0	11.5	5.1	3
DV3878B432B	EIA 3 1/8"	3	EIA 7/8"	894	35,2	290	11,4	16.5	15.6	15.0	12.5	3
DV3858B432B	EIA 3 1/8"	3	EIA 1 5/8"	894	35,2	290	11,4	37.0	36.0	35.0	13.6	4
DV1616B442B	DIN 7/16 f.	3	DIN 7/16 f.	770	30,3	90	3,5	3.1	3.0	2.7	2.3	1
DV7816B442B	EIA 7/8"	4	DIN 7/16 f.	837	33,0	90	3,5	5.5	5.2	5.0	2.6	2
DV7878B442B	EIA 7/8"	4	EIA 7/8"	830	32,7	190	7,5	5.5	5.2	5.0	4.9	3
DV5816B442B	EIA 1 5/8"	4	DIN 7/16 f.	860	33,9	190	7,5	12.4	12.0	10.8	5.6	3
DV5878B442B	EIA 1 5/8"	4	EIA 7/8"	860	33,9	190	7,5	13.0	12.0	11.5	5.2	3
DV5858B443B	EIA 1 5/8"	4	EIA 1 5/8"	862	33,9	190	7,5	13.0	12.0	11.5	7.1	3
DV3878B442B	EIA 3 1/8"	4	EIA 7/8"	870	34,3	260	10,2	22.0	20.8	20.0	13.6	4
DV3858B442B	EIA 3 1/8"	4	EIA 1 5/8"	890	35,0	290	11,4	37.0	36.0	35.0	15.6	4
DV5878B452B	EIA 1 5/8"	5	EIA 7/8"	860	33,9	190	7,5	13.0	12.0	11.5	14.5	4
DV7816B462B	EIA 7/8"	6	DIN 7/16 f.	870	34,3	120	4,7	5.5	5.2	5.0	2.7	2
DV7878B463B1	EIA 7/8"	6	EIA 7/8"	1210	47,6	190	7,5	5.5	5.2	5.0	7.3	3
DV5878B463B	EIA 1 5/8"	6	EIA 7/8"	1130	44,5	180	7,1	13.0	12.0	11.5	5.9	3
DV5858B463B	EIA 1 5/8"	6	EIA 1 5/8"	862	33,9	190	7,5	13.0	12.0	11.5	8.5	3
DV3878B463B	EIA 3 1/8"	6	EIA 7/8"	1260	49,6	255	10,0	33.0	31.2	30.0	14.8	4
DV3858B463B	EIA 3 1/8"	6	EIA 1 5/8"	1260	49,6	290	11,4	37.0	36.0	35.0	15.3	4
DV7816B483B	EIA 7/8"	8	DIN 7/16 f.	1090	42,9	190	7,5	5.5	5.2	5.0	7.8	3
DV7878B483B	EIA 7/8"	8	EIA 7/8"	1090	42,9	190	7,5	5.5	5.2	5.0	6.5	3
DV5816B483B	EIA 1 5/8"	8	DIN 7/16"	1110	43,7	190	7,5	13.0	12.0	11.5	7.2	3
DV5878B483B	EIA 1 5/8"	8	EIA 7/8"	1110	43,7	190	7,5	13.0	12.0	11.5	8.6	3
DV5858B483B	EIA 1 5/8"	8	EIA 1 5/8"	862	33,9	190	7,5	13.0	12.0	11.5	9.2	3
DV3878B483B	EIA 3 1/8"	8	EIA 7/8"	1260	49,6	260	10,2	37.0	36.0	35.0	16.3	4
DV3858B483B	EIA 3 1/8"	8	EIA 1 5/8"	1260	49,6	260	10,2	37.0	36.0	35.0	17.5	4
DV3878B4A3B	EIA 3 1/8"	12	EIA 7/8"	1260	49,6	260	10,2	37.0	36.0	35.0	21.1	4

Specification are subject to change without notice

POWER SPLITTER DIMENSIONAL DETAILS

FIGURE "1"

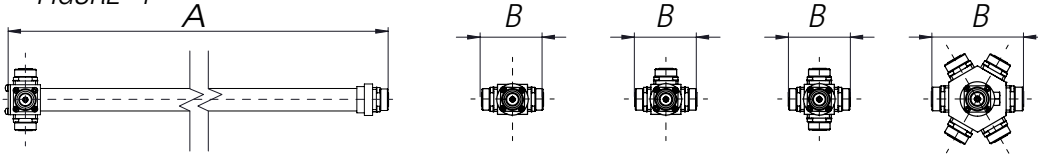


FIGURE "2"

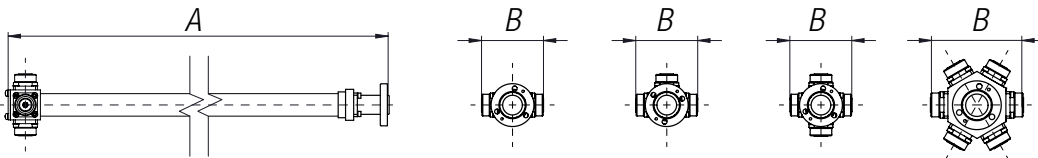


FIGURE "3"

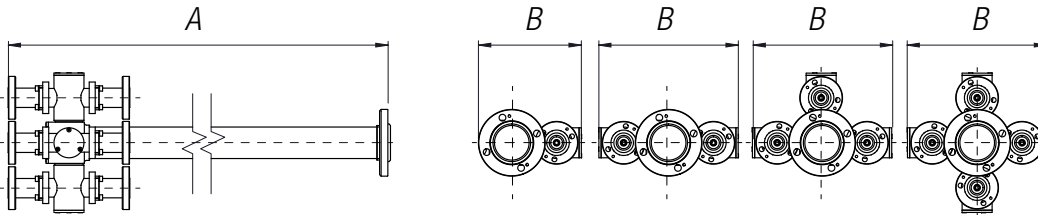


FIGURE "4"

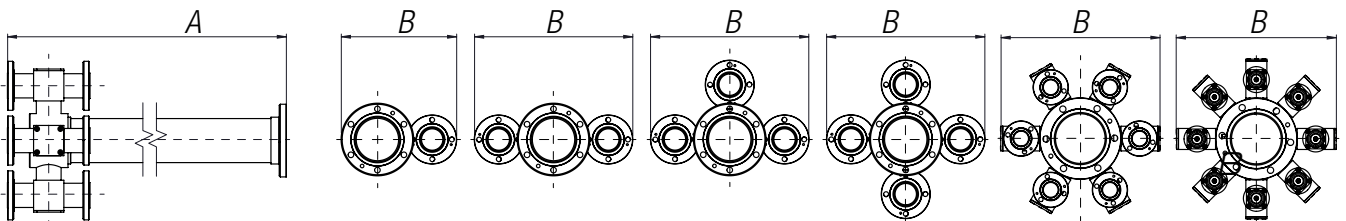
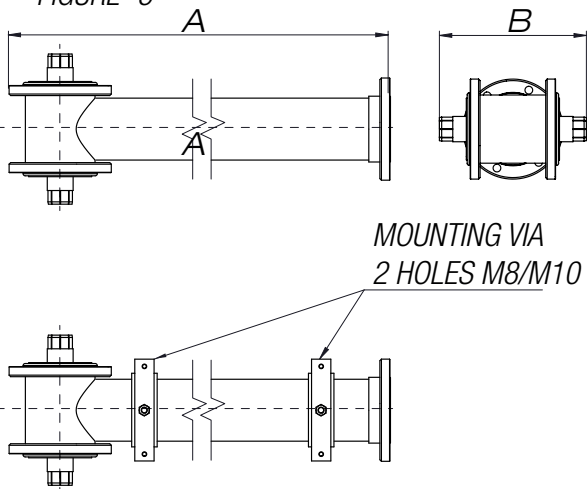
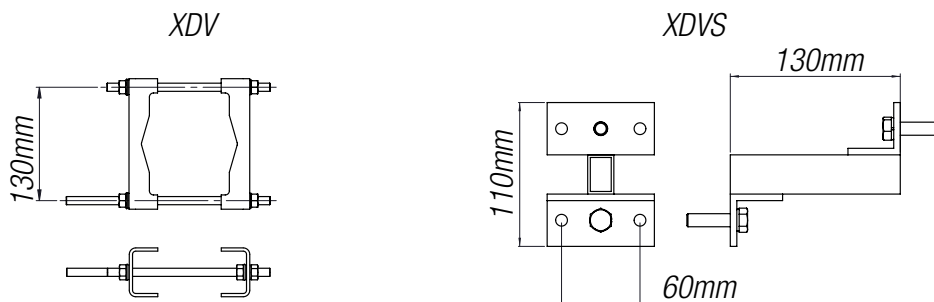


FIGURE "5"



OPTIONAL BRACKETS



Specification are subject to change without notice