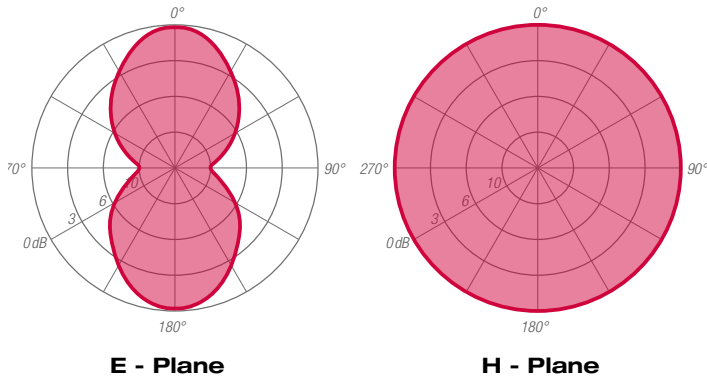




### ANTENNA FEATURES

- Tuned coaxial dipole antenna 0.3 dBd gain.
- Vertical polarization.
- Bandwidth 14 MHz.
- Omnidirectional radiation pattern.
- Plug & play installation.

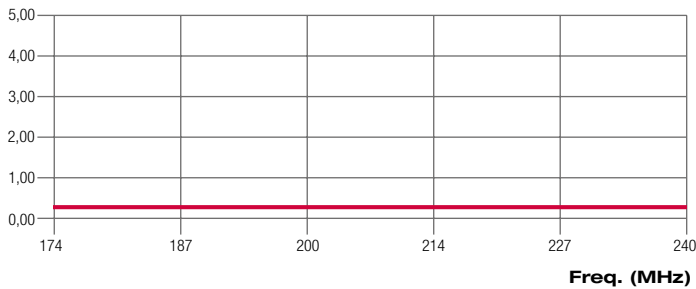
### RADIATION PATTERNS (Mid Band)



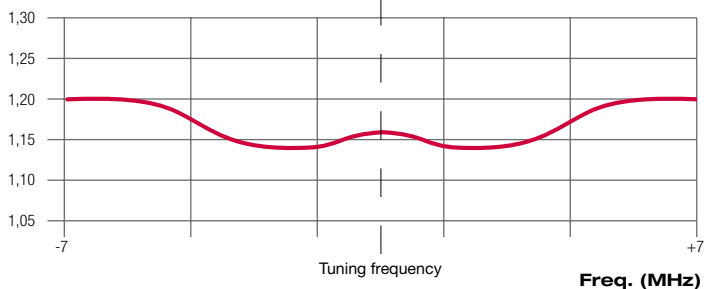
### ELECTRICAL DATA

WORKING BAND:	174-240 MHz
BANDWIDTH:	14 MHz - factory tuned
GAIN:	0.3dBd (2.5 dBi)
VSWR:	≤ 1.2:1 (-20.8 dB)
POLARIZATION:	Vertical
IMPEDANCE:	50 Ohm balanced
HALF POWER BEAMWIDTH:	E-Plane - 70° H-Plane - 360°
LIGHTNING PROTECTION:	All metal parts DC grounded including inner conductors
AVAILABLE VERSION AND CODE:	ADC0104110 - DIN 7/16" female - 600W rms

### GAIN (dB)



### VSWR

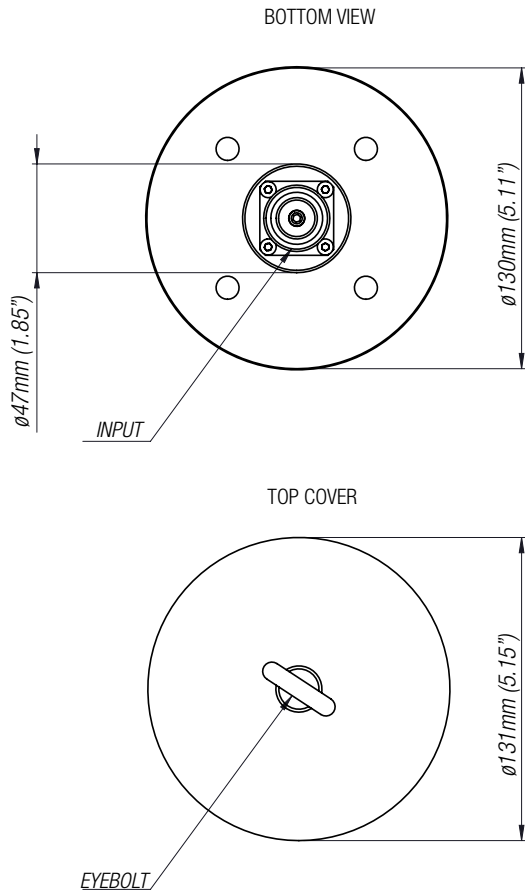


### MECHANICAL DATA

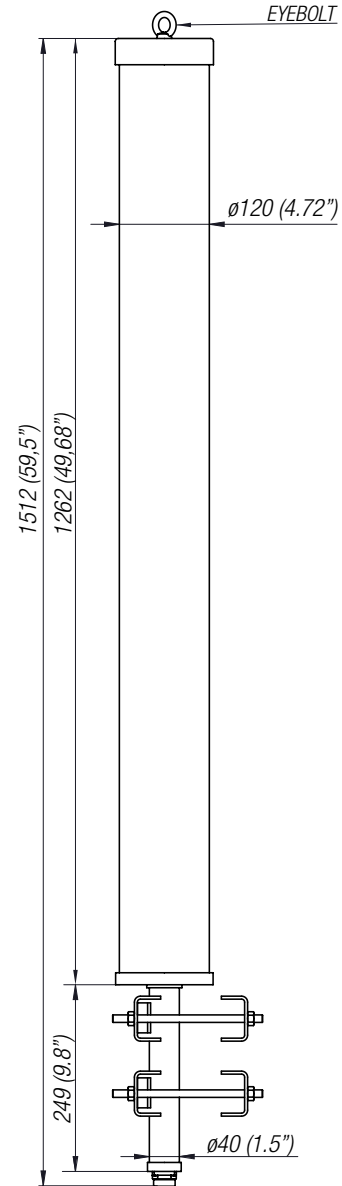
MATERIALS:	Aluminium and stainless steel
MOUNTING:	Directly on supporting mast Ø60±114mm (Ø1 5/8" - 4") (safety host hook)
MOUNTING BRACKETS:	Included
ICING PROTECTION:	Whole antenna fully covered by fiberglass radome Standard grey color
TREATMENTS:	Cover in stainless steel Lines and bottom base Military norms treatment (MIL-C-5541). Brackets and bolts in hot dip galvanized steel Silver-plated connector
PRESSURIZATION:	No
ANTENNA DIMENSIONS:	Ø131x1262mm (5.15x49.68 in)
WEIGHT:	25 kg (55.11 lb)
WIND SURFACE:	0.16 m <sup>2</sup> (0.52 ft <sup>2</sup> ) front - 0.16m <sup>2</sup> (0.52 ft <sup>2</sup> ) side
WIND LOAD (160 km/h and 30°C)	0.13 kN front - 0.13 kN side
SURVIVAL WIND:	180 km/h (111.85 mph)
PACKING DIMENSIONS:	Wooden cage (ISPM-15) 400x500x1800mm - 85 kg (15.74x19.68x70.86 in - 187.4 lb)

Specification are subject to change without notice

**ANTENNA DIMENSIONAL DETAILS - PLAN**



**ANTENNA DIMENSIONAL DETAILS - SIDE**



**OPTIONS & SERVICES**

<i>PATTERN DESIGN</i>	Custom azimuth and elevation (beam tilt and null fill) patterns can be designed to meet specific protection/coverage requirements
<i>PATTERN CERTIFICATION</i>	Proof-of-performance factory test and pattern measurements on ALDENA test plan area
<i>MOUNTING HARDWARE</i>	Turn-key antenna delivering Tower top/side spine Special hardware/brackets
<i>TRANSMISSION LINE</i>	Transmission line system design and layout
<i>COMBINERS/FILTERS</i>	Combiners/Filters to suit requirements can be supplied
<i>CALCULATION SERVICES</i>	Coverage/interference simulations EM Near Field control and reduction (Environmental impact studies)
<i>ON-SITE SERVICES</i>	Site Survey and Inspection Installation/commissioning and supervising Drive test & EM Field strength measurements After sales maintenance
<i>TRAINING</i>	Technical training certification and consultancy

Specification are subject to change without notice