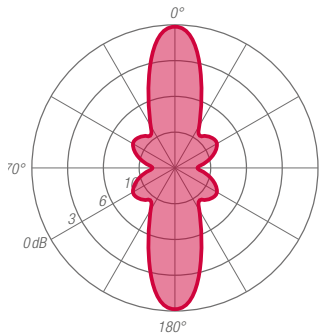




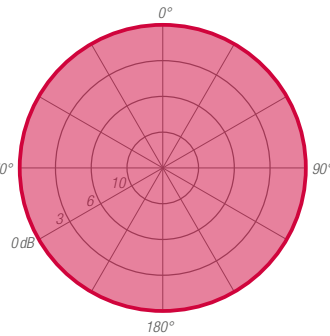
ANTENNA FEATURES

- Tuned coaxial dipole antenna 3.0 dBd gain.
- Vertical polarization.
- Bandwidth 14 MHz.
- Omnidirectional radiation pattern.
- Plug & play installation.

RADIATION PATTERNS (Mid Band)



E - Plane

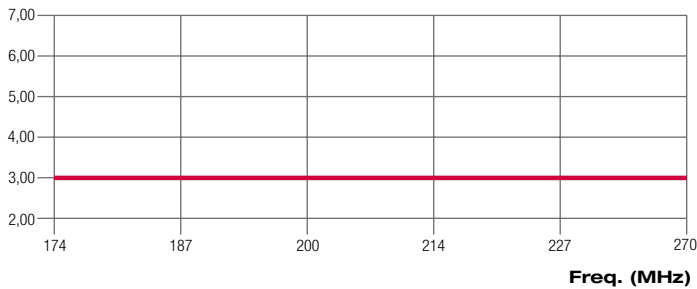


H - Plane

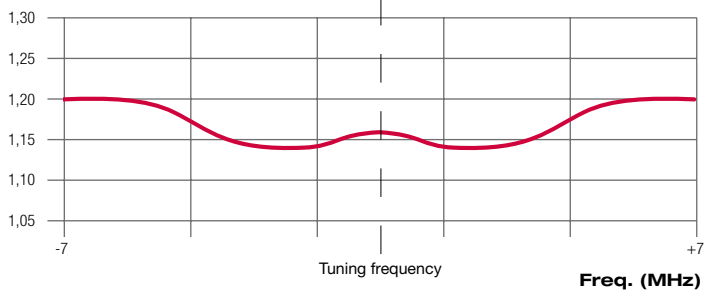
ELECTRICAL DATA

WORKING BAND:	174-240 MHz
BANDWIDTH:	14 MHz - factory tuned
GAIN:	3.0 dBd (5.2 dBi)
VSWR:	≤ 1.2:1 (-20.8 dB)
POLARIZATION:	Vertical
IMPEDANCE:	50 Ohm balanced
HALF POWER BEAMWIDTH:	E-Plane - 30° H-Plane - 360°
LIGHTNING PROTECTION:	All metal parts DC grounded including inner conductors
AVAILABLE VERSION AND CODE:	ADC0204410 - DIN 7/16" female - 1000W rms

GAIN (dB)



VSWR



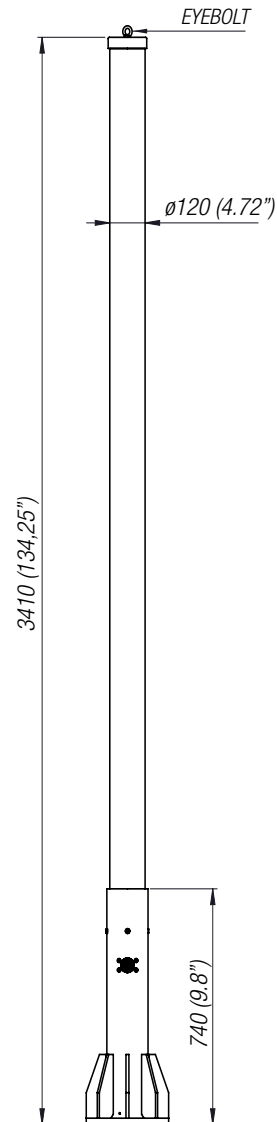
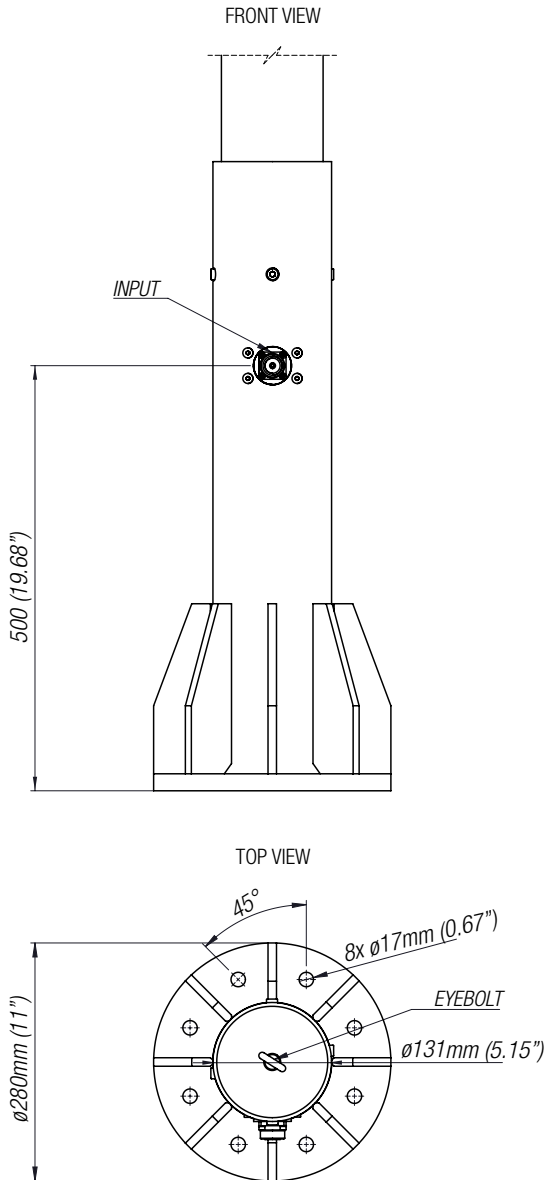
MECHANICAL DATA

MATERIALS:	Aluminium and stainless steel
MOUNTING:	Directly on top of existing structure/mast by means of a flange ø280 mm (11 in) 8xM16 (holes)
MOUNTING BRACKETS:	Included
ICING PROTECTION:	Whole antenna fully covered by fiberglass radome Standard grey color
TREATMENTS:	Cover in stainless steel Lines and bottom base Military norms treatment (MIL-C-5541). Silver-plated connector
PRESSURIZATION:	No
ANTENNA DIMENSIONS:	131x3410 mm (5.15x134.25 in) Base flange ø280 mm (11 in)
WEIGHT:	31 kg (68.34 lb)
WIND SURFACE:	0.44 m ² (1.44 ft ²) front - 0.44m ² (1.44 ft ²) side
WIND LOAD (160 km/h and 30°C)	0.37 kN front - 0.37 kN side
SURVIVAL WIND:	180 km/h (111.85 mph)
PACKING DIMENSIONS:	Wooden cage (ISPM-15) 400x500x3600mm - 120 kg (15.74x19.68x141.7 in - 264.5 lb)

Specification are subject to change without notice

ANTENNA DIMENSIONAL DETAILS - PLAN

ANTENNA DIMENSIONAL DETAILS - SIDE



OPTIONS & SERVICES

<i>PATTERN DESIGN</i>	Custom azimuth and elevation (beam tilt and null fill) patterns can be designed to meet specific protection/coverage requirements
<i>PATTERN CERTIFICATION</i>	Proof-of-performance factory test and pattern measurements on ALDENA test plan area
<i>MOUNTING HARDWARE</i>	Turn-key antenna delivering Tower top/side spine Special hardware/brackets
<i>TRANSMISSION LINE</i>	Transmission line system design and layout
<i>COMBINERS/FILTERS</i>	Combiners/Filters to suit requirements can be supplied
<i>CALCULATION SERVICES</i>	Coverage/interference simulations EM Near Field control and reduction (Environmental impact studies)
<i>ON-SITE SERVICES</i>	Site Survey and Inspection Installation/commissioning and supervising Drive test & EM Field strength measurements After sales maintenance
<i>TRAINING</i>	Technical training certification and consultancy

Specification are subject to change without notice