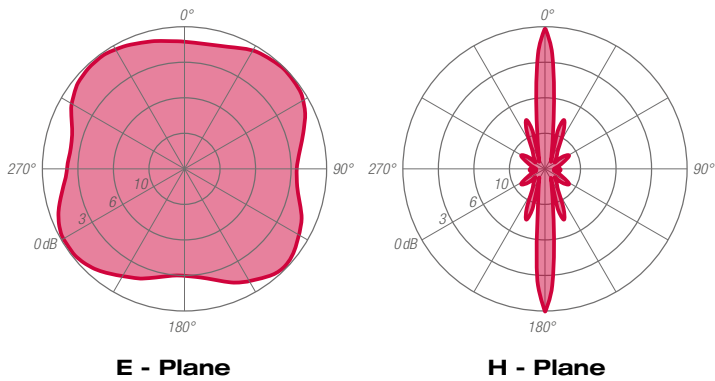




ANTENNA FEATURES

- Turnstile antenna 8.5 dBd gain.
- Horizontal polarization.
- Broadband 470-862 MHz.
- Omnidirectional radiation pattern.
- Designed for digital and/or analogue services.
- Plug-and-play installation.

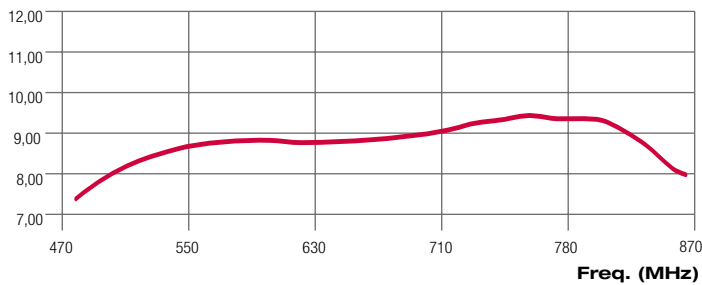
RADIATION PATTERNS (Mid Band)



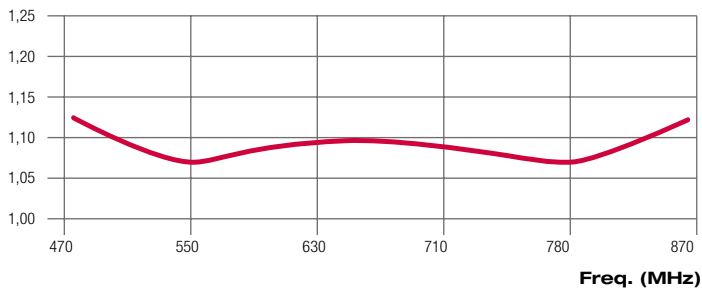
ELECTRICAL DATA

<i>WORKING BAND:</i>	470-862 MHz
<i>BANDWIDTH:</i>	UHF IV/V band
<i>GAIN:</i>	8.5 dBd (10.7 dBi)
<i>VSWR:</i>	≤ 1.12:1 (-25 dB)
<i>POLARIZATION:</i>	Horizontal
<i>IMPEDANCE:</i>	50 Ohm balanced
<i>HALF POWER BEAMWIDTH:</i>	E-Plane - 360° H-Plane - 11°
<i>LIGHTNING PROTECTION:</i>	All metal parts DC grounded including inner conductors Vertical lightning protection system included
<i>AVAILABLE VERSION AND CODE:</i>	ATS1607922 - EIA 7/8 female - 2000W rms ATS1607928 - EIA 1 5/8" - 5000W rms

GAIN (dB)



VSWR



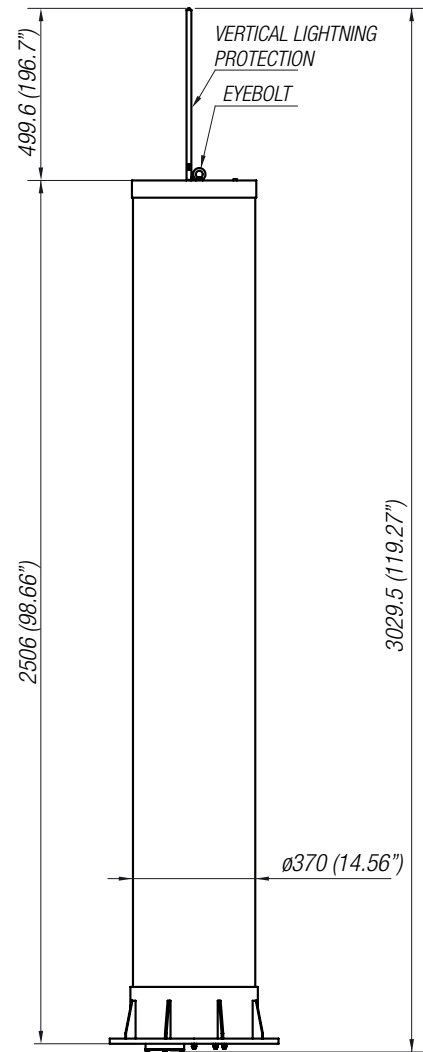
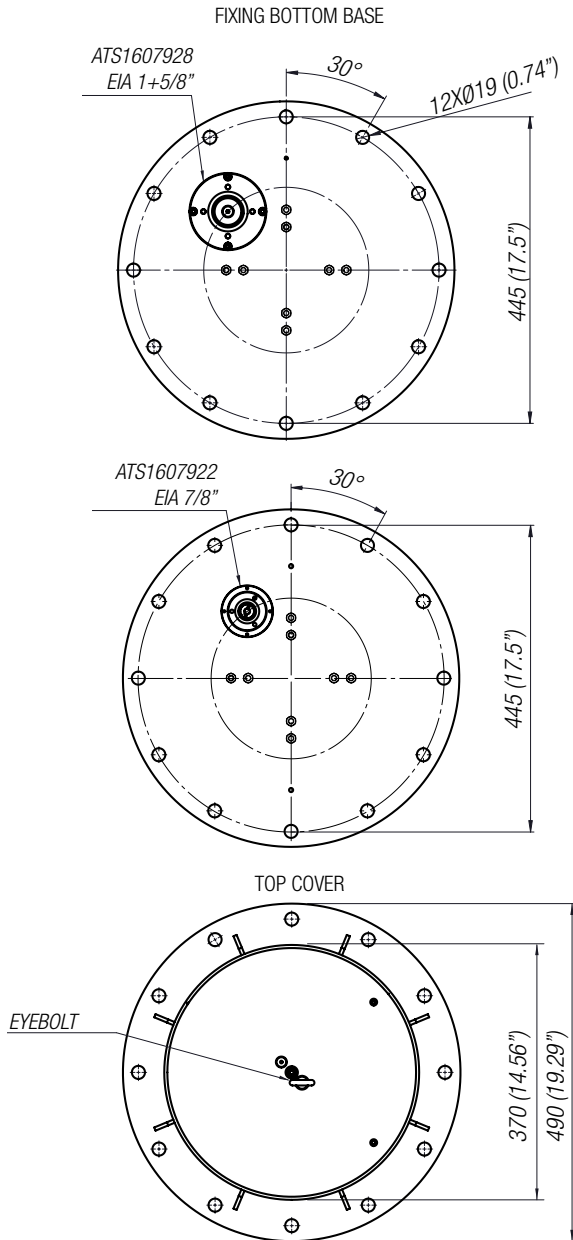
MECHANICAL DATA

<i>MATERIALS:</i>	Aluminium, hot dip galvanized steel and stainless steel
<i>MOUNTING:</i>	Directly on top of existing structure/mast by means of a flange ø490 (19.29 in) 12xM18 (holes)
<i>MOUNTING BRACKETS:</i>	Included
<i>ICING PROTECTION:</i>	Whole antenna fully covered by PP-HD radome Standard grey color
<i>TREATMENTS:</i>	Cover in stainless steel Bottom base bracket and bolts in hot dip galvanized steel Silver-plated connector and lines Military norms treatment (MIL-C-5541) dipoles
<i>PRESSURIZATION:</i>	No
<i>ANTENNA DIMENSIONS:</i>	370x2506mm (14.56x98.66 in) Base flange ø490mm (19.29 in)
<i>WEIGHT:</i>	68 kg (149.9 lb)
<i>WIND SURFACE:</i>	0.94 m ² (10.12 ft ²) front - 0.94m ² (10.12 ft ²) side
<i>WIND LOAD (160 km/h and 30°C)</i>	0.76 kN front - 0.76 kN side
<i>SURVIVAL WIND:</i>	180 km/h (111.85 mph)
<i>PACKING DIMENSIONS:</i>	Wooden cage (ISPM-15) 600x700x2700mm - 108 kg (23.62x27.55x106.29 in - 238 lb)
<i>SPECIAL FEATURES:</i>	Beaconing light upon request Beam tilt and special requirements to order

Specification are subject to change without notice

ANTENNA DIMENSIONAL DETAILS - PLAN

ANTENNA DIMENSIONAL DETAILS - SIDE



OPTIONS & SERVICES

<i>PATTERN DESIGN</i>	Custom azimuth and elevation (beam tilt and null fill) patterns can be designed to meet specific protection/coverage requirements
<i>PATTERN CERTIFICATION</i>	Proof-of-performance factory test and pattern measurements on ALDENA test plan area
<i>MOUNTING HARDWARE</i>	Turn-key antenna delivering Tower top/side spine Special hardware/brackets
<i>TRANSMISSION LINE</i>	Transmission line system design and layout
<i>COMBINERS/FILTERS</i>	Combiners/Filters to suit requirements can be supplied
<i>CALCULATION SERVICES</i>	Coverage/interference simulations EM Near Field control and reduction (Environmental impact studies)
<i>ON-SITE SERVICES</i>	Site Survey and Inspection Installation/commissioning and supervising Drive test & EM Field strength measurements After sales maintenance
<i>TRAINING</i>	Technical training certification and consultancy

Specification are subject to change without notice