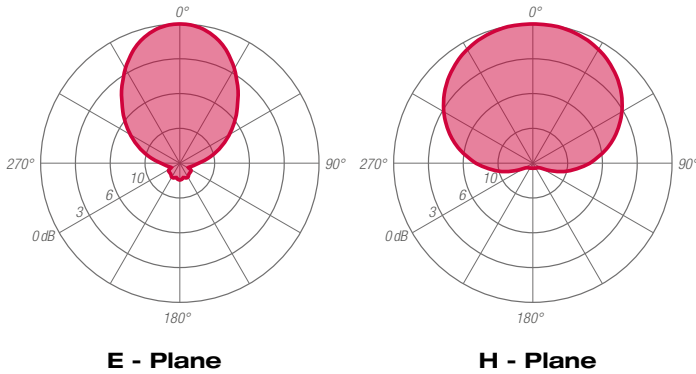




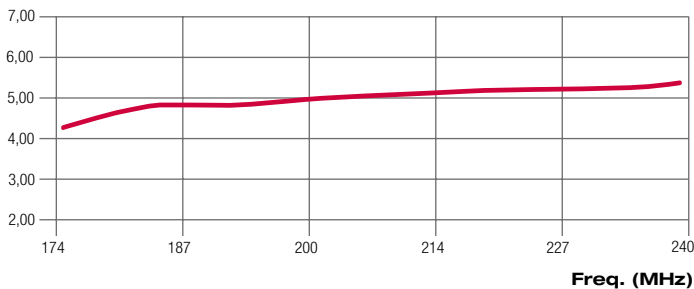
## ANTENNA FEATURES

- Log-periodic 4 elements 5 dBd gain.
- Vertical or horizontal polarization.
- Broadband 174÷240 MHz.
- Directional radiation pattern.
- Aluminium or stainless steel version.
- Analogue/Digital Service.

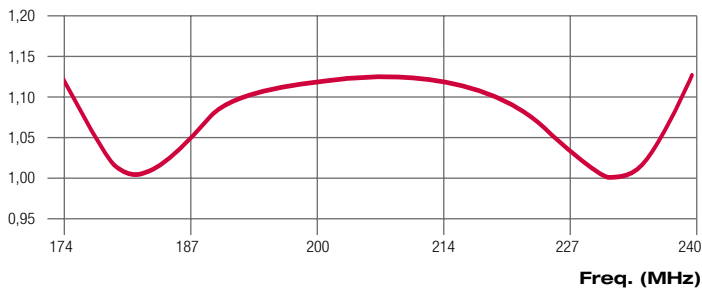
## RADIATION PATTERNS (Mid Band)



## GAIN (dB)



## VSWR



## ELECTRICAL DATA

WORKING BAND:	174 - 240 MHz
BANDWIDTH:	VHF band III
GAIN:	5 dBd (7.2 dBi)
VSWR:	≤ 1.13:1 (-24 dB)
POLARIZATION:	Linear (Vertical or Horizontal)
IMPEDANCE:	50 Ohm balanced
HALF POWER BEAMWIDTH:	E-Plane - 65° H-Plane - 130°
LIGHTNING PROTECTION:	All metal parts DC grounded including inner conductors
AVAILABLE VERSION AND CODE:	ALP0404710 - DIN 7/16 female - max 2000W rms ALP0404711 - EIA 7/8" - max 3000W rms ALP0404730- DIN 7/16 female - max 2000W rms ALP0404731 - EIA 7/8" - max 3000W rms

## MECHANICAL DATA

MATERIALS:	Stainless steel (version ALP040473X) Aluminium (version ALP040471X) Hot dip galvanized steel bracket and bolts
MOUNTING:	Directly on supporting structure
MOUNTING BRACKETS:	Included for Ø40÷114mm pipe (Ø1 5/8" - 4")
ICING PROTECTION:	Antenna body covered by ABS radome
TREATMENTS:	Powder painted elements and body grey color - RAL 7001 (version ALP040471X) Silver-plated lines and connector
PRESSURIZATION:	No
ANTENNA DIMENSIONS:	1046x1036x135 mm (41.81x40.78x5.3 in)
ANTENNA WEIGHT:	8.5 kg (18.7 lb) (version ALP040473X) 5 kg (11 lb) (version ALP040471X)
BRACKET WEIGHT:	4 kg (8.8 lb)
WIND SURFACE:	0.036m <sup>2</sup> (0.38 ft <sup>2</sup> ) front - 0.156m <sup>2</sup> (1.67 ft <sup>2</sup> ) side
WIND LOAD (160 km/h and 30°C)	0.03 kN front - 0.24 kN side
SURVIVAL WIND:	220 km/h (136.7 mph)
PACKING DIMENSIONS:	Box 1630x1950x150mm - 15kg (64.17x76.77x5.9 in - 33lb)
SPECIAL FEATURES:	Mounting brackets for slant polarization (Cod. XSTLOG-ROT) Mounting brackets for parallel arrays (Cod. XSTLOG-PER)

Specification are subject to change without notice



### ARRAY FEATURES

- Directional or custom patterns
- Equal or unequal power distribution system
- Configurable for specific azimuth and elevation pattern
- Suitable for multiplexing many channels

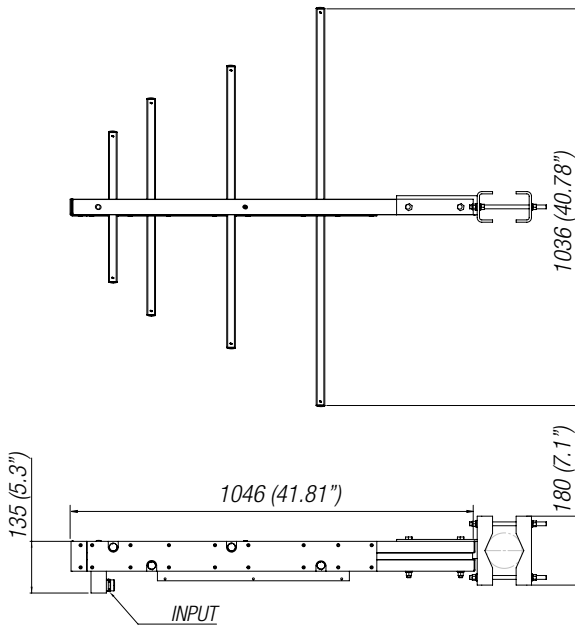
### ARRAY ELECTRICAL DATA

FREQUENCY RANGE	174 ÷ 240 MHz
IMPEDANCE	50 ohm
CONNECTOR	EIA flange according to system power rating
POWER RATING	The antenna system can accept any power according to requirements
VSWR	≤ 1.08 in the operating channels or ≤ 1.15 throughout the frequency range Antenna system VSWR value also depending from the supporting structure
POLARIZATION	Vertical or Horizontal
GAIN	Refer to table
HORIZONTAL PATTERN	Any type according to requirement
VERTICAL PATTERN	Null fill, beam tilt and special requirements to order
OTHER FEATURES	Antenna components and feed harnesses can be optimized for channels of interest.

### ARRAY MECHANICAL DATA

HEIGHT OF ARRAY	Subject to number of bays
TOTAL NET WEIGHT	Refer to table
WIND LOAD	Refer to table
PRESSURIZABLE	No
MOUNTING HARDWARE	Optional mounting for side mount configuration

### ANTENNA DIMENSIONAL DETAILS



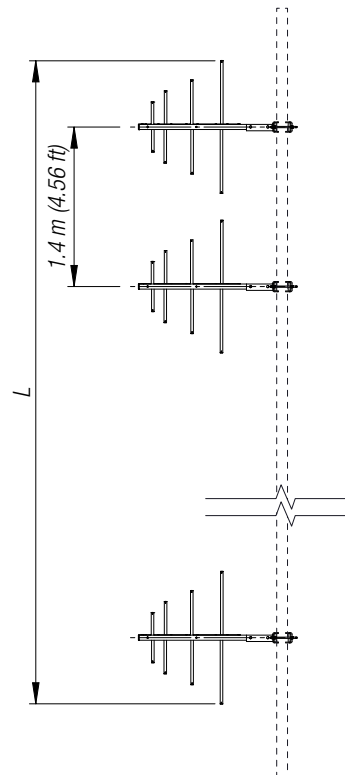
### ARRAY TECHNICAL DATA

BAYS	PANELS PER BAY	GAIN <sup>(1)</sup> dB	GAIN TIMES <sup>(1)</sup>	WEIGHT <sup>(2)</sup> kg (lb)	ANTENNA HEIGHT <sup>(L)</sup> m (ft)	WIND LOAD <sup>(3)</sup> kN
2	1	9.0	7.9	32 (70.5)	2.4 (7.9)	0.48
4	1	11.9	15.5	54 (119.0)	3.2 (10.5)	0.96
6	1	13.6	22.9	87 (191.8)	8.0 (26.2)	1.44
8	1	14.7	29.5	110 (242.5)	10.8 (35.4)	1.92
12	1	16.4	43.6	185 (407.8)	16.4 (53.8)	2.88
16	1	17.7	58.9	245 (540.1)	22.0 (72.2)	3.84

- (1) Gain data is relative to half-wave dipole. Values given are nominal and assume standard harness configurations. Gain will vary depending in specific feed system, null fill and beam tilt. Gain data is relative to array in vertical polarization.  
 (2) Referred to Aluminum model ALP040471X and without mounting hardware.  
 (3) 160 km/h (100 mph) wind and 30°C (86°F) air temperature.  
 (L) Total Antenna Height.

### OPTIONS & SERVICES

PATTERN DESIGN	Custom azimuth and elevation (beam tilt and null fill) patterns can be designed to meet specific protection/coverage requirements
PATTERN CERTIFICATION	Proof-of-performance factory test and pattern measurements on ALDENA test plan area
MOUNTING HARDWARE	Turn-key antenna delivering Tower top/side spine Special hardware/brackets
TRANSMISSION LINE	Transmission line system design and layout
COMBINERS/FILTERS	Combiners/Filters to suit requirements can be supplied
CALCULATION SERVICES	Coverage/interference simulations EM Near Field control and reduction (Environmental impact studies)
ON-SITE SERVICES	Site Survey and Inspection Installation/commissioning and supervising Drive test & EM Field strength measurements After sales maintenance
TRAINING	Technical training certification and consultancy



Note:  
Total Antenna Height (L) is subject to change according to requirement.  
Custom designed antennas meeting special requirements such as specific azimuthal pattern, different gains and custom power input are available upon request.

Specification are subject to change without notice