



FEATURES

- Broadband power splitter (87.5-108 MHz)
- Low VSWR
- Low insertion loss
- Up to 16 outputs
- Pressurizable
- Available equal or unequal splitting power ratio
- Additional tuning unit (Line Match) can be used to optimize the input impedance of the whole system on site.

ELECTRICAL DATA

<i>WORKING BAND:</i>	87.5-108 MHz
<i>BANDWIDTH:</i>	VHF Band II
<i>VSWR:</i>	≤ 1.06:1 (-30.71 dB)
<i>IMPEDANCE:</i>	50 Ohm balanced
<i>INSERTION LOSS:</i>	0.05 dB
<i>POWER RATING:</i>	See table
<i>NUMBER OF WAYS:</i>	See table
<i>SPLITTING POWER RATIO:</i>	Equal or Unequal

MECHANICAL DATA

<i>MATERIALS:</i>	External body in polished brass, internal lines in aluminum or brass, inner conductors in brass, teflon isolators, silicon O-rings
<i>MOUNTING:</i>	Directly on supporting structure via M8/M10 holes
<i>MOUNTING BRACKETS:</i>	Optional XDV - Couple of brackets for pole from 40 to 114mm (4") XDVS - Couple of fixed brackets 130mm length with M10 holes
<i>TREATMENTS:</i>	Silver-plated internal lines and connections
<i>PRESSURIZATION:</i>	5.0 psi
<i>CONNECTORS:</i>	See table
<i>DIMENSIONS:</i>	See table
<i>WEIGHT:</i>	See table
<i>PACKING DIMENSIONS:</i>	Cardboard box
<i>FINISHIGN:</i>	RAL7030

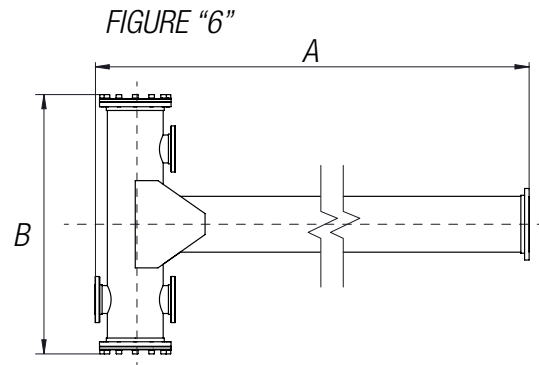
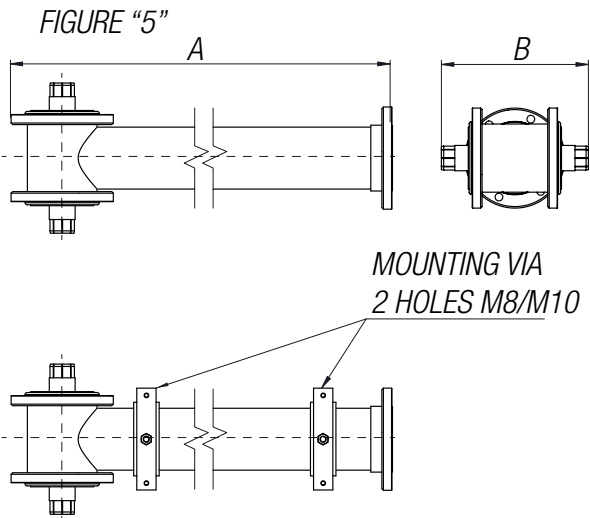
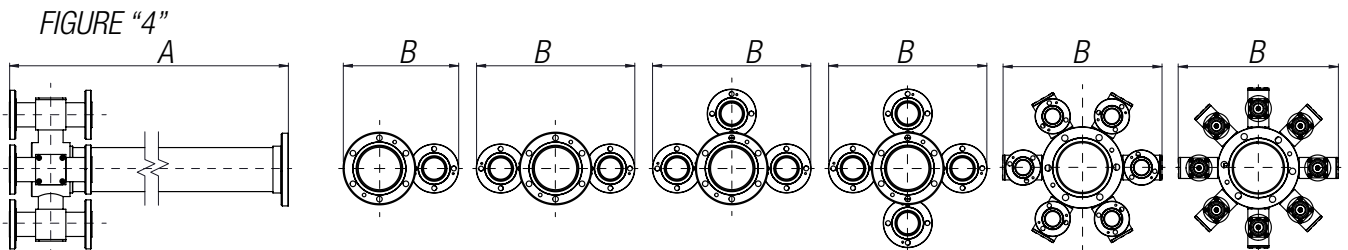
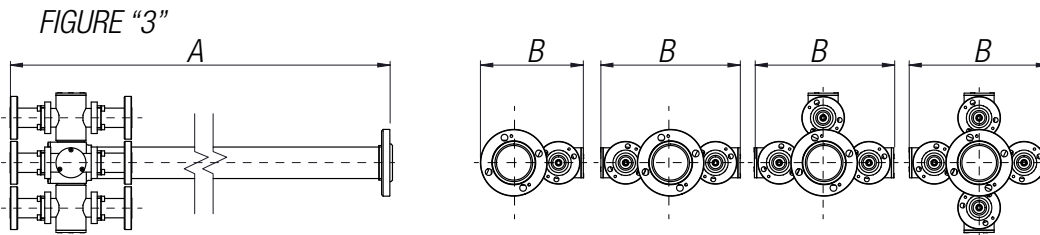
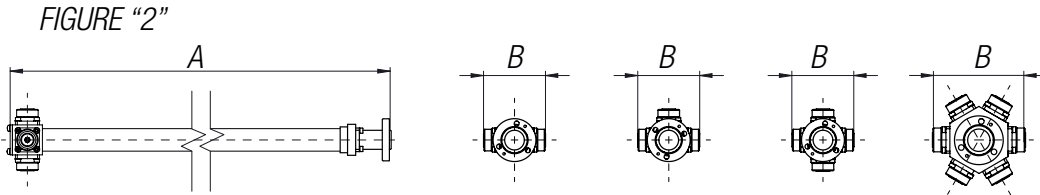
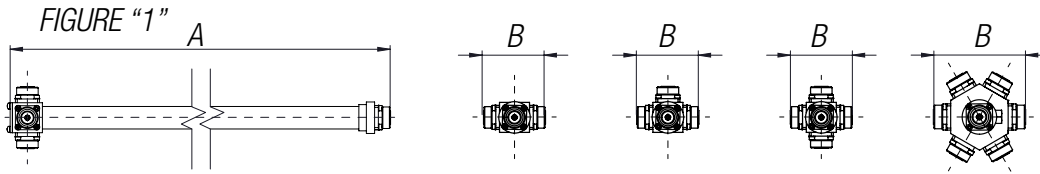
Specification are subject to change without notice

STANDARD TYPES

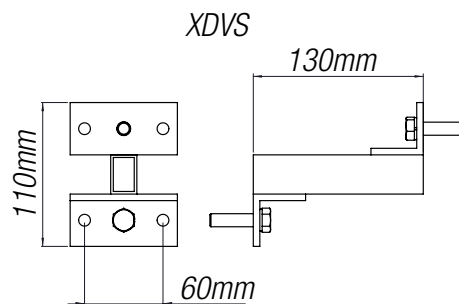
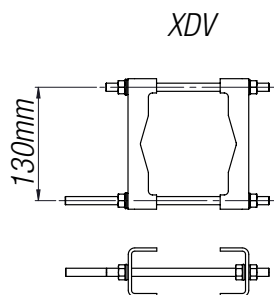
PRODUCT CODE	INPUT CONNECTOR	WAY	OUTPUT CONNECTOR	DIMENSION				POWER RATING (rms KW)			WIEGHT (kg)	FIGURE
				A (mm)	A (inch)	B (mm)	B (inch)	87.5 MHz	100 MHz	108 MHz		
DV0202B222B	N	2	N	1630	64.2	87	3.4	0.9	0.85	0.8	2.7	1
DV1616B222B	DIN 7/16" f.	2	DIN 7/16" f.	1630	64.2	87	3.4	4.2	4.0	3.8	2.8	1
DV7802B222B	EIA 7/8"	2	N	1655	65.9	87	3.4	1.8	1.7	1.6	2.9	2
DV7816B222B1	EIA 7/8"	2	DIN 7/16" f.	1655	65.9	87	3.4	8.0	7.0	6.0	3.0	2
DV7878B222B1	EIA 7/8"	2	EIA 7/8"	1615	63.5	120	4.7	8.0	7.0	6.0	6.0	3
DV5878B222B1	EIA 1 5/8"	2	EIA 7/8"	1615	63.5	120	4.7	16.0	14.0	12.0	6.2	3
DV5858B222B1	EIA 1 5/8"	2	EIA 1 5/8"	1660	65.3	170	6.7	17.5	16.0	15.0	7.5	3
DV3858B222B1	EIA 3 1/8"	2	EIA 1 5/8"	1765	69.5	289	11.3	35.0	32.0	30.0	16.5	4
DV3838B222B1	EIA 3 1/8"	2	EIA 3 1/8"	1660	65.3	195	7.6	55.0	50.0	48.5	21.5	5
DV4238B222B	IEC 4 1/2"	2	EIA 3 1/8"	1615	63.5	290	11.4	85.0	80.0	77.0	25.8	5
DV6842B222B	EIA 6 1/8"	2	IEC 4 1/2"	1765	69.5	700	27.5	170.0	160.0	140.0	44.2	6
DV6838B222B	EIA 6 1/8"	2	EIA 3 1/8"	1710	67.3	700	27.5	110.0	100.0	97.0	45.3	6
DV6868B222B2	EIA 6 1/8"	2	EIA 6 1/8"	1710	67.3	700	27.5	180.0	160.0	140.0	46.4	6
DV0202B232B	N	3	N	1630	64.2	87	3.4	0.9	0.85	0.8	2.8	1
DV1616B232B	DIN 7/16" f.	3	DIN 7/16" f.	1630	64.2	87	3.4	4.2	4.0	3.8	2.9	1
DV7802B232B	EIA 7/8"	3	N	1655	65.9	87	3.4	2.7	2.55	2.4	3.0	1
DV7816B232B1	EIA 7/8"	3	DIN 7/16" f.	1655	65.9	87	3.4	8.0	7.0	6.0	3.1	2
DV7878B232B1	EIA 7/8"	3	EIA 7/8"	1615	63.5	120	4.7	8.0	7.0	6.0	8.0	3
DV5878B232B1	EIA 1 5/8"	3	EIA 7/8"	1640	64.5	190	7.5	17.5	16.0	15.0	7.3	3
DV3858B232B1	EIA 3 1/8"	3	EIA 1 5/8"	1765	69.5	290	11.4	52.5	48.0	45.0	22.0	4
DV4258B232B	IEC 4 1/2"	3	EIA 1 5/8"	1690	66.5	318	12.5	52.5	48.0	45.0	32.9	4
DV4238B232B	IEC 4 1/2"	3	EIA 3 1/8"	1730	68.1	575	22.6	85.0	80.0	77.0	40.1	4
DV1616B242B	DIN 7/16" f.	4	DIN 7/16" f.	1630	64.2	87	3.4	4.2	4.0	3.8	3.6	1
DV7802B242B1	EIA 7/8"	4	N	1655	65.1	87	3.4	3.6	3.4	3.2	3.7	2
DV7816B242B1	EIA 7/8"	4	DIN 7/16" f.	1655	65.1	87	3.4	8.0	7.0	6.0	3.8	2
DV7878B242B1	EIA 7/8"	4	EIA 7/8"	1615	63.5	190	7.5	8.0	7.0	6.0	7.2	3
DV5816B242B	EIA 1 5/8"	4	DIN 7/16" f.	1620	63.7	190	7.5	16.8	16.0	15.0	7.4	3
DV5878B242B1	EIA 1 5/8"	4	EIA 7/8"	1640	64.5	190	7.5	17.5	16.0	15.0	7.5	3
DV3878B242B1	EIA 3 1/8"	4	EIA 7/8"	1650	64.9	260	10.2	32.0	28.0	24.0	20.7	4
DV3858B242B1	EIA 3 1/8"	4	EIA 1 5/8"	1765	69.5	260	10.2	55.0	50.0	48.5	22.9	4
DV4258B242B	IEC 4 1/2"	4	EIA 1 5/8"	1690	66.5	290	11.4	70.0	64.0	60.0	37.6	4
DV4238B242B	IEC 4 1/2"	4	EIA 3 1/8"	1730	68.1	550	21.6	85.0	80.0	77.0	39.7	6
DV6838B242B	EIA 6 1/8"	4	EIA 3 1/8"	1715	67.5	745	29.3	180.0	160.0	140.0	46.4	6
DV7878B252B1	EIA 7/8"	5	EIA 7/8"	1615	63.5	190	7.5	8.0	7.0	6.0	7.9	3
DV5878B252B	EIA 1 5/8"	5	EIA 7/8"	1640	64.5	190	7.5	17.5	16.0	15.0	8.2	3
DV3878B252B1	EIA 3 1/8"	5	EIA 7/8"	1650	64.9	260	10.2	40.0	35.0	30.0	20.0	4
DV3858B252B	EIA 3 1/8"	5	EIA 1 5/8"	1765	69.4	290	11.4	55.0	50.0	48.5	25.3	4
DV4258B252B	IEC 4 1/2"	5	EIA 1 5/8"	1775	69.8	290	11.4	85.0	80.0	77.0	38.7	4
DV1616B262B	EIA 1 5/8"	6	DIN 7/16 f.	1630	64.2	115	4.5	4.2	4.0	3.8	5.2	1
DV7802B262B	EIA 7/8"	6	N	1630	64.2	115	4.5	5.4	5.1	4.8	4.3	2
DV7816B262B1	EIA 7/8"	6	DIN 7/16 f.	1630	64.2	115	4.5	8.0	7.0	6.0	5.3	2
DV7878B262B1	EIA 7/8"	6	EIA 7/8"	1610	63.3	190	7.5	8.0	7.0	6.0	8.5	3
DV5816B262B	EIA 1 5/8"	6	EIA 1 5/8"	1620	63.7	190	7.5	17.5	16.0	15.0	8.7	3
DV5878B262B1	EIA 1 5/8"	6	EIA 7/8"	1640	64.5	190	7.5	17.5	16.0	15.0	8.9	3
DV5858B262B	EIA 1 5/8"	6	EIA 1 5/8"	1660	65.3	170	6.7	17.5	16.0	15.0	11.7	3
DV3878B262B1	EIA 3 1/8"	6	EIA 7/8"	1650	64.9	260	10.2	48.0	42.0	36.0	23.1	4
DV3858B262B1	EIA 3 1/8"	6	EIA 1 5/8"	1765	69.4	290	11.4	55.0	50.0	48.5	26.4	4
DV4258B262B1	IEC 4 1/2"	6	EIA 1 5/8"	1720	67.7	290	11.4	85.0	80.0	77.0	39.3	4
DV5878B272B	EIA 1 5/8"	7	EIA 7/8"	1640	64.5	190	7.5	17.5	16.0	15.0	9.3	3
DV7816B283B	EIA 7/8"	8	EIA 7/8"	1655	65.1	190	7.5	8.0	7.0	6.0	9.1	2
DV7878B282B1	EIA 7/8"	8	EIA 7/8"	1615	63.5	190	7.5	8.0	7.0	6.0	9.3	3
DV5816B283B	EIA 1 5/8"	8	DIN 7/16" f.	1620	63.7	190	7.5	17.5	16.0	15.0	9.5	3
DV5878B282B	EIA 1 5/8"	8	EIA 7/8"	1640	64.5	190	7.5	17.5	16.0	15.0	9.6	3
DV3816B282B	EIA 3 1/8"	8	DIN 7/16" f.	1650	64.9	260	10.2	33.6	32.0	30.4	23.5	4
DV3878B282B	EIA 3 1/8"	8	EIA 7/8"	1650	64.9	260	10.2	55.0	50.0	48.5	24.3	4
DV3858B282B1	EIA 3 1/8"	8	EIA 1 5/8"	1765	69.4	290	11.4	55.0	50.0	48.5	29.0	4
DV4278B282B1	IEC 4 1/2"	8	EIA 7/8"	1720	67.7	260	10.2	64.0	56.0	48.0	39.5	4
DV4258B282B1	IEC 4 1/2"	8	EIA 1 5/8"	1720	67.7	290	11.4	85.0	80.0	77.0	42.5	4
DV3816B2A2B	EIA 3 1/8"	12	DIN 7/16" f.	1650	64.9	260	10.2	50.4	48.0	45.6	23.6	4
DV3878B2A2B	EIA 3 1/8"	12	EIA 7/8"	1650	64.9	260	10.2	55.0	50.0	48.5	27.0	4
DV4216B2A2B	IEC 4 1/2"	12	DIN 7/16" f.	1800	70.8	260	10.2	50.4	48.0	45.6	39.6	4
DV4278B2A2B	IEC 4 1/2"	12	EIA 7/8"	1800	70.8	260	10.2	85.0	80.0	77.0	43.0	4
DV3816B2C2B	EIA 3 1/8"	16	DIN 7/16" f.	2440	96.0	260	10.2	55.0	50.0	48.5	33.4	4
DV3878B2C2B	EIA 3 1/8"	16	EIA 7/8"	2440	96.0	260	10.2	55.0	50.0	48.5	40.0	4
DV4216B2C2B	IEC 4 1/2"	16	DIN 7/16" f.	2500	98.4	260	10.2	67.2	64.0	60.8	49.4	4
DV4278B2C2B	IEC 4 1/2"	16	EIA 7/8"	2500	98.4	260	10.2	85.0	80.0	77.0	56.0	4

Specification are subject to change without notice

POWER SPLITTER DIMENSIONAL DETAILS



OPTIONAL BRACKETS



Specification are subject to change without notice